

4PDT-3P-MOM

Toggle Switch, 30A 4-Pole Double Throw
Momentary On-Off-Momentary On

<https://www.gamainc.com/product/4pdt-3p-mom/>

Specifications

- 4 Pole Double Throw
- Momentary On-Off Momentary On
- Rated 16A 125VAC, 10A 250VAC, 30A 12VDC
- 1/4" Quick Connect Terminals

GAMA ELECTRONICS

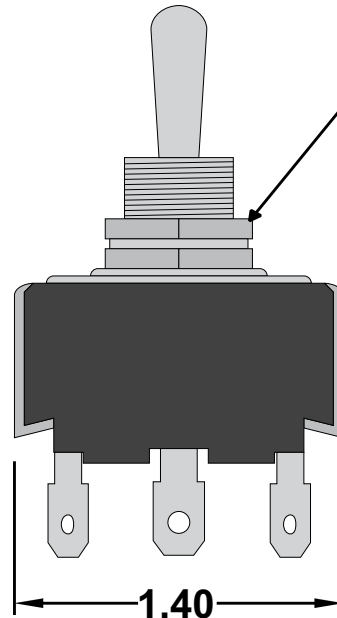
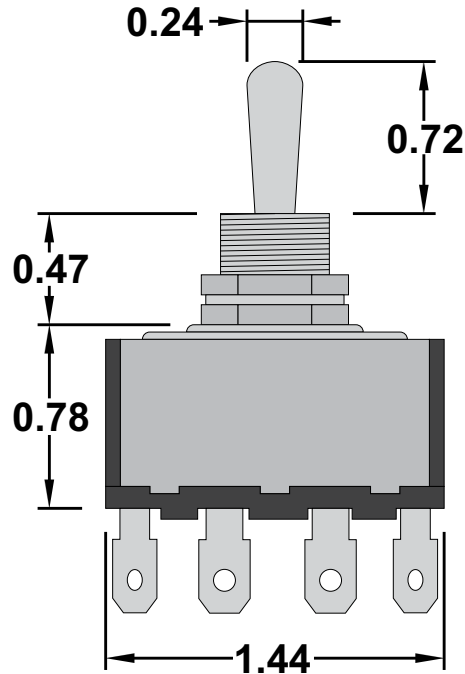
P.O. Box 1488, Crystal Lake, IL 60039

Phone: 815-356-9600

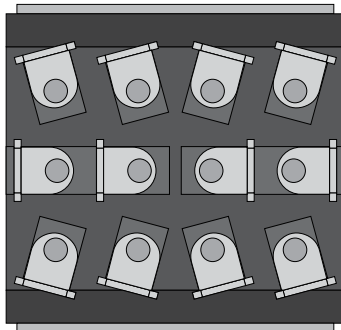
Fax: 815-356-9603

Email: gama@gamainc.com

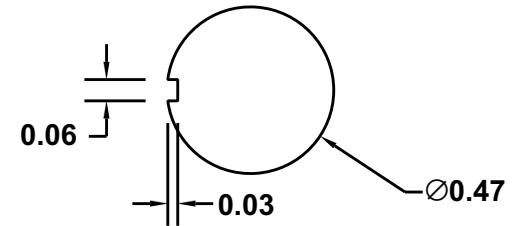
www.gamainc.com



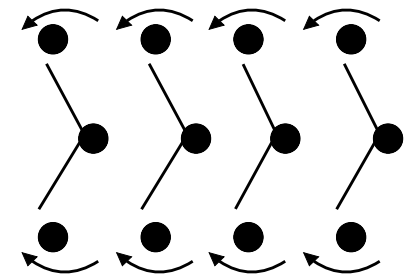
Nut is Metric
M12 Thread



Mounting Hole



Circuit Diagram



Drawn By: KEG

Information contained herein is proprietary information of GAMA Electronics Inc. The dissemination use or duplication of this information, for any purpose other than that for which the information is provided, is prohibited except by express written permission.

All dimensions are in inches and have a +/- .015" tolerance unless otherwise specified.

Rev: A

Pg. 1 of 1

Release Date: 08/02/18

Third Angle Projection

