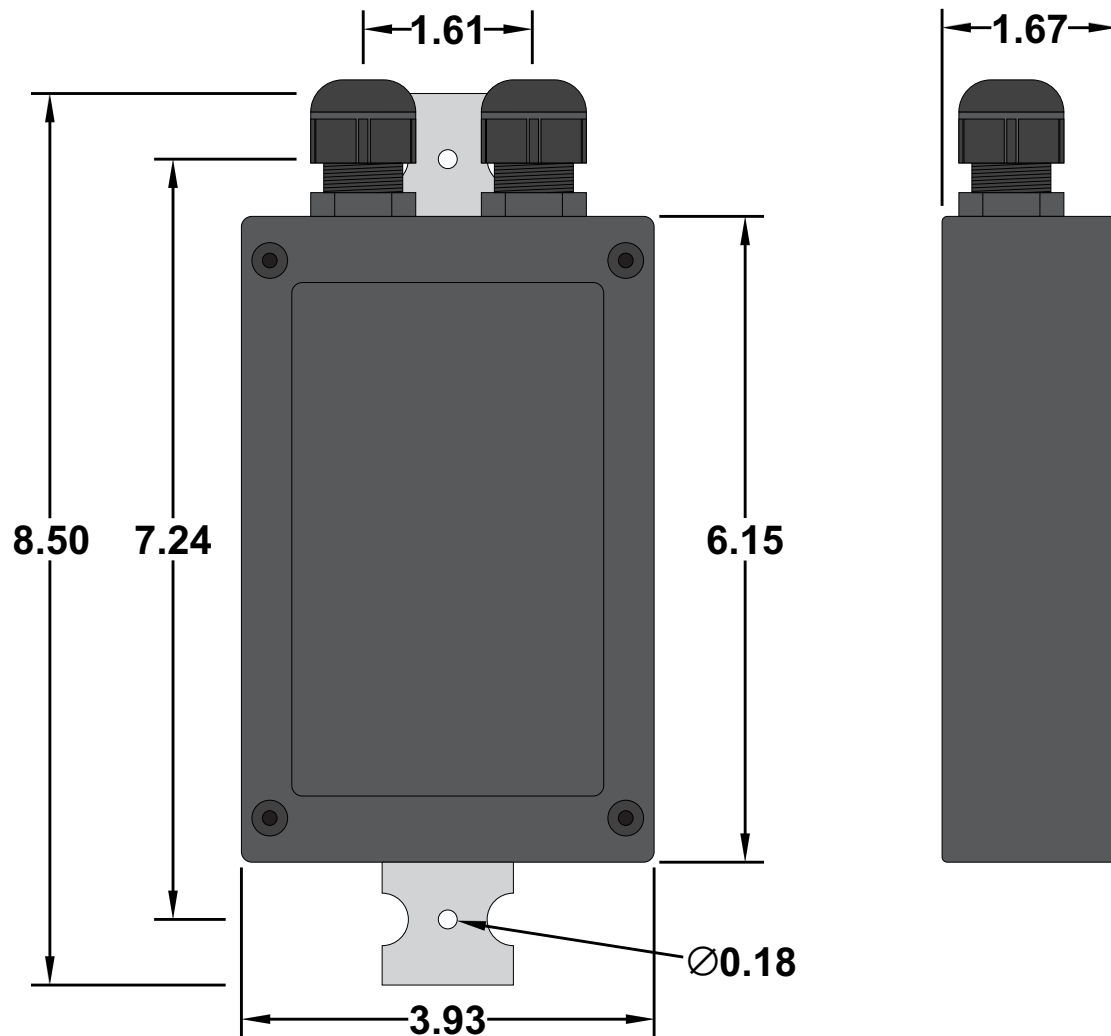


RF240V-2WP

RF Remote Control System, 240VAC On-Off
Or AC Motor Reversing

<https://www.gamainc.com/product/rf240v-2wp/>

RF240V-2WP Receiver Dimensions



GAMA ELECTRONICS

P.O. Box 1488, Crystal Lake, IL 60039

Phone: 815-356-9600

Fax: 815-356-9603

Email: gama@gamainc.com

www.gamainc.com

Specifications

- Frequency: 340 MHz.
- Input voltage: 240 VAC .
- The output relays are rated at 25A @ 240VAC, 1 1/2 HP 240VAC.
- Operating temperature range: 0°F to 160°F.
- Transmit range is greater than 100 feet under normal operating conditions.
- Up to 30 keyfob transmitters can be used with each receiver.

Drawn By: KEG

Information contained herein is proprietary information of GAMA Electronics Inc. The dissemination use or duplication of this information, for any purpose other than that for which the information is provided, is prohibited except by express written permission.

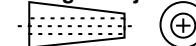
All dimensions are in inches and have a +/- .015" tolerance unless otherwise specified.

Rev: A

Pg. 1 of 5

Release Date:
07/31/18

Third Angle Projection



RF240V-2WP

RF Remote Control System, 240VAC On-Off
Or AC Motor Reversing

<https://www.gamainc.com/product/rf240v-2wp/>

GAMA ELECTRONICS

P.O. Box 1488, Crystal Lake, IL 60039

Phone: 815-356-9600

Fax: 815-356-9603

Email: gama@gamainc.com

www.gamainc.com

2-Button Waterproof Transmitter

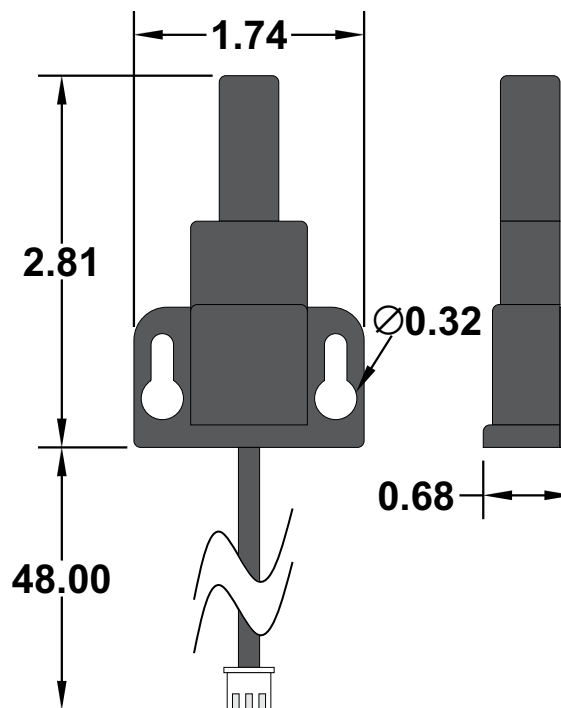
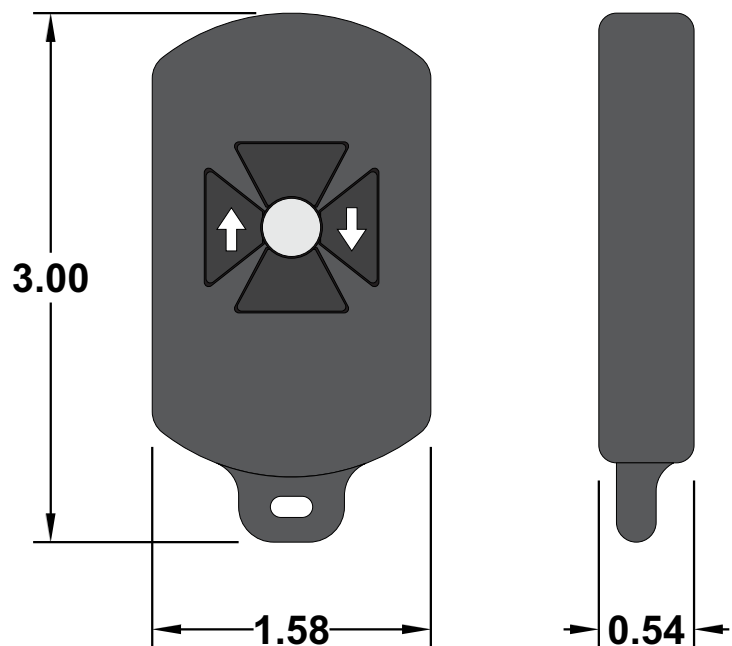
www.gamainc.com/product/kf340-2wp/

Included with waterproof transmitter
option

Long Range Antenna

www.gamainc.com/product/lra-340/

Included with long range option



Available Accessories

- Extra 2-Button Keyfob Transmitters ([KF340-2](#))
- Extra 2-Button Waterproof Transmitters ([KF340-2WP](#))
- Extra 2-Button Rechargeable Transmitters ([GKF-WPTX-2](#))
- Extra Long Range Antenna ([LRA-340](#))
- Package of 6 A23 12V Alkaline Batteries for Transmitters ([A23-6](#))
- Clear Protective Transmitter Pouch ([ZLB-67](#))

Drawn By: KEG

Information contained herein is proprietary information of GAMA Electronics Inc. The dissemination use or duplication of this information, for any purpose other than that for which the information is provided, is prohibited except by express written permission.

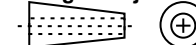
All dimensions are in inches and have a +/- .015" tolerance unless otherwise specified.

Rev: A

Release Date:
07/31/18

Pg. 2 of 5

Third Angle Projection



RF240V-2WP

RF Remote Control System, 240VAC On-Off
Or AC Motor Reversing

<https://www.gamainc.com/product/rf240v-2wp/>

GAMA ELECTRONICS

P.O. Box 1488, Crystal Lake, IL 60039

Phone: 815-356-9600

Fax: 815-356-9603

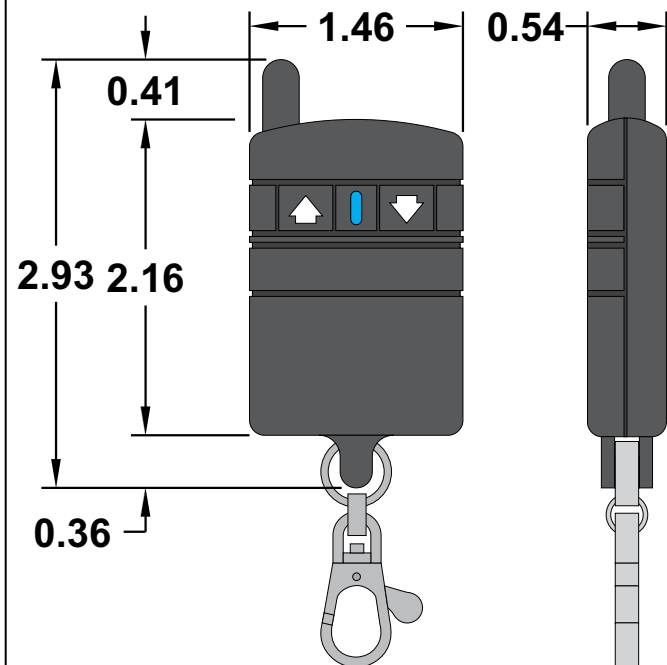
Email: gama@gamainc.com

www.gamainc.com

2-Button Keyfob Transmitter

www.gamainc.com/product/kf340-2/

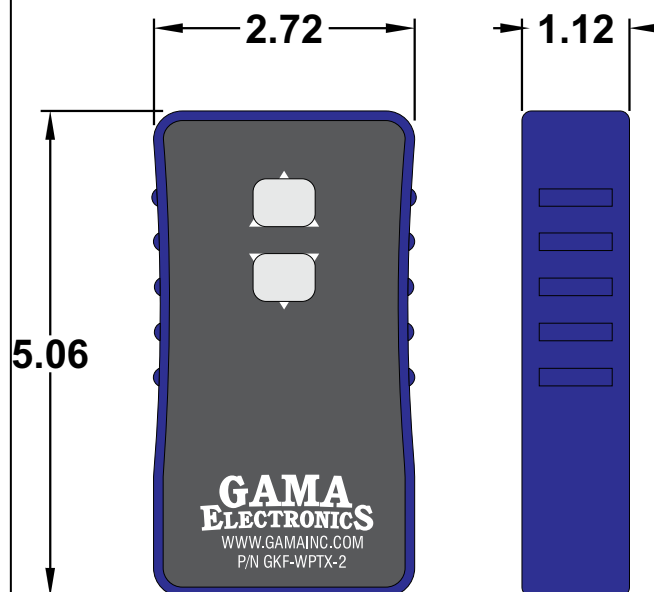
Included with standard transmitter
option



2-Button Rechargeable Transmitter

www.gamainc.com/product/gkf-wptx-2/

Included with rechargeable transmitter
option



Drawn By: KEG

Information contained herein is proprietary information of GAMA Electronics Inc. The dissemination use or duplication of this information, for any purpose other than that for which the information is provided, is prohibited except by express written permission.

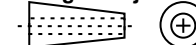
All dimensions are in inches and have a +/- .015" tolerance unless otherwise specified.

Rev: A

Release Date:
07/31/18

Pg. 3 of 5

Third Angle Projection



RF240V-2WP

RF Remote Control System, 240VAC On-Off
Or AC Motor Reversing

<https://www.gamainc.com/product/rf240v-2wp/>

RF240V-2WP Internal View

GAMA ELECTRONICS

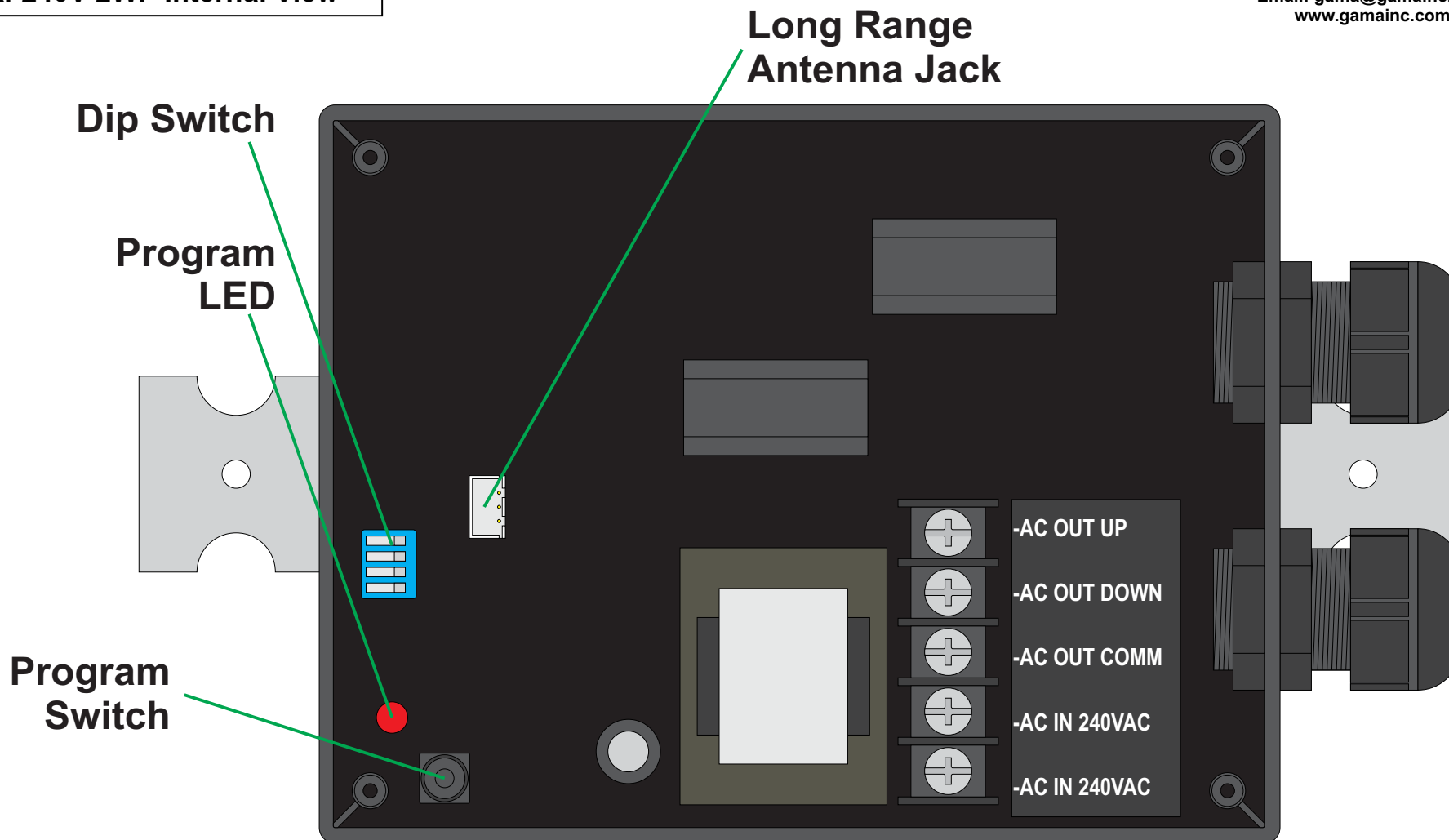
P.O. Box 1488, Crystal Lake, IL 60039

Phone: 815-356-9600

Fax: 815-356-9603

Email: gama@gamainc.com

www.gamainc.com



Drawn By: KEG

Information contained herein is proprietary information of GAMA Electronics Inc. The dissemination use or duplication of this information, for any purpose other than that for which the information is provided, is prohibited except by express written permission.

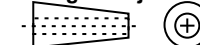
All dimensions are in inches and have a +/- .015" tolerance unless otherwise specified.

Rev: A

Release Date:
07/31/18

Pg. 4 of 5

Third Angle Projection

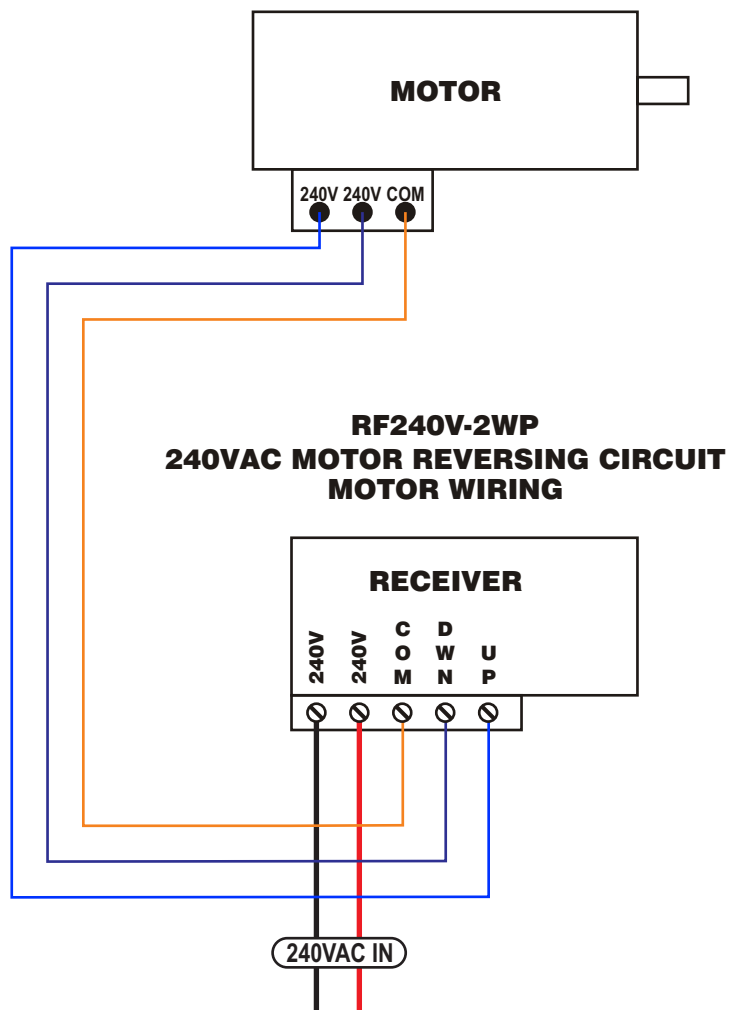


RF240V-2WP

RF Remote Control System, 240VAC On-Off
Or AC Motor Reversing

<https://www.gamainc.com/product/rf240v-2wp/>

RF240V-2WP Wiring Diagram



GAMA ELECTRONICS

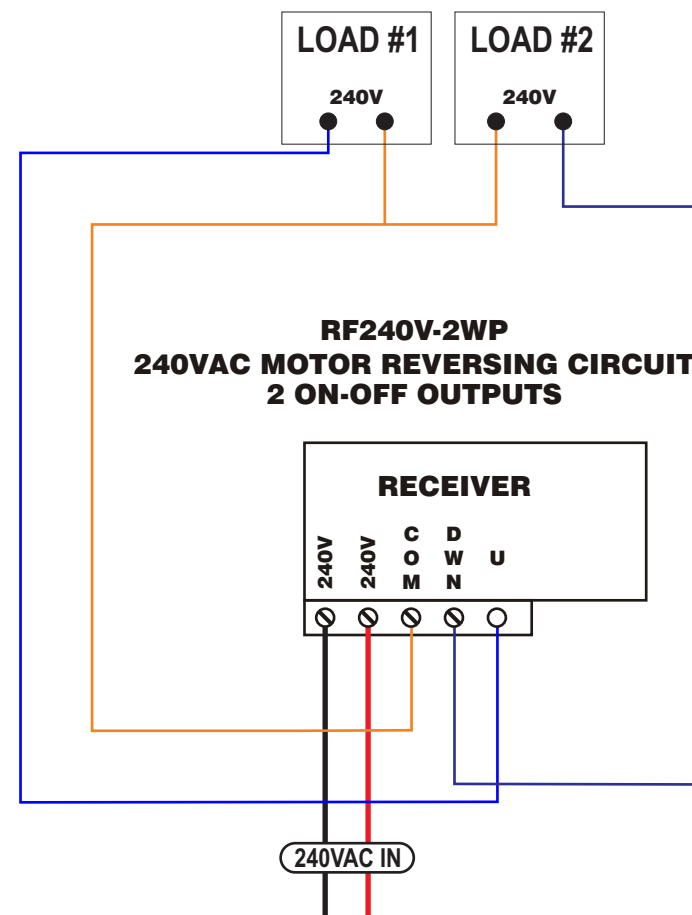
P.O. Box 1488, Crystal Lake, IL 60039

Phone: 815-356-9600

Fax: 815-356-9603

Email: gama@gamainc.com

www.gamainc.com



Drawn By: KEG

Information contained herein is proprietary information of GAMA Electronics Inc. The dissemination use or duplication of this information, for any purpose other than that for which the information is provided, is prohibited except by express written permission.

All dimensions are in inches and have a +/- .015" tolerance unless otherwise specified.

Rev: A

Release Date:
07/31/18

Pg. 5 of 5

Third Angle Projection

